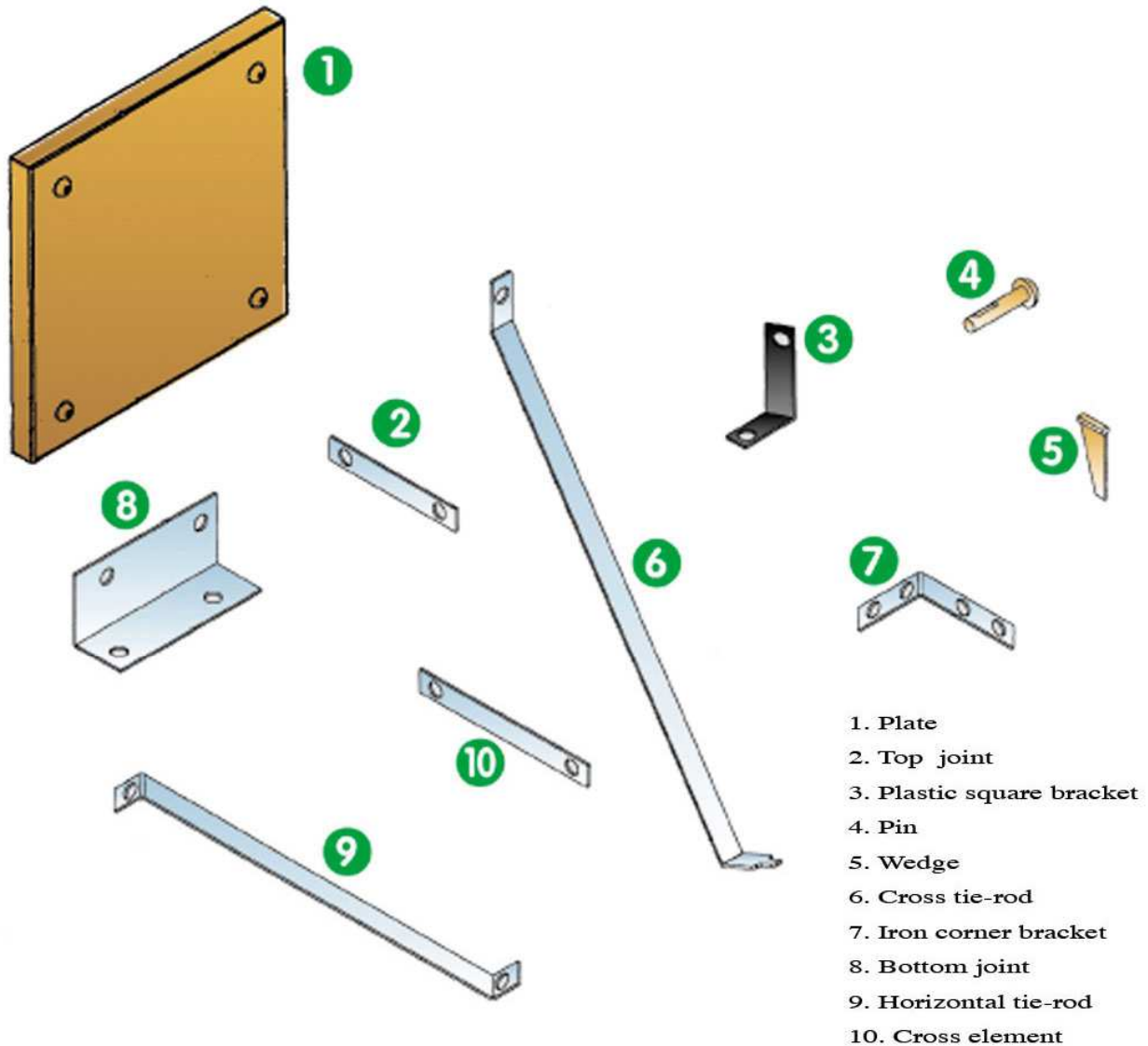


COMPONENTS AND ASSEMBLY INSTRUCTIONS



1. Plate
2. Top joint
3. Plastic square bracket
4. Pin
5. Wedge
6. Cross tie-rod
7. Iron corner bracket
8. Bottom joint
9. Horizontal tie-rod
10. Cross element

Step
1

Place the 50x50 base plates to get the shape required, inserting all the PINS (4) beforehand and keeping these in place with WEDGE (5).

Step
2

Starting from an INSIDE corner, place the plates as shown (Fig. 1) using an IRON CORNER BRACKET (7) and PLASTIC SQUARE BRACKET (3). Secure with PINS (4) and WEDGES (5).

Step
3

Continue assembling the walls, working clockwise as shown (Fig. 1 - 2 - 3) to suit your needs and composition type.

N.B.

The wall plates always sit half on and half off the base plates. The wall and base plates are identical.

After assembly, check that all WEDGES (5) are secure and gently tap in further with a hammer.

ASSEMBLY DRAWINGS

